

Agilent MS40+

Single Stage Rotary Vane Pump with Inverter

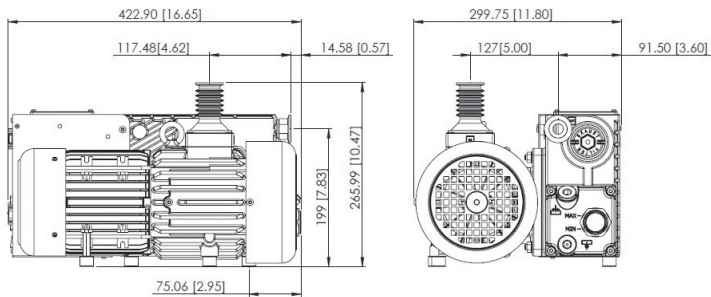


MS40+ roughing pump is designed for steady and high gas throughput conditions at pressures below 10 Torr, in applications like Mass Spectrometry (LC/MS, ICP/MS, GC/TOF/MS, etc.), Electron Microscopy, and other scientific instrumentation*.

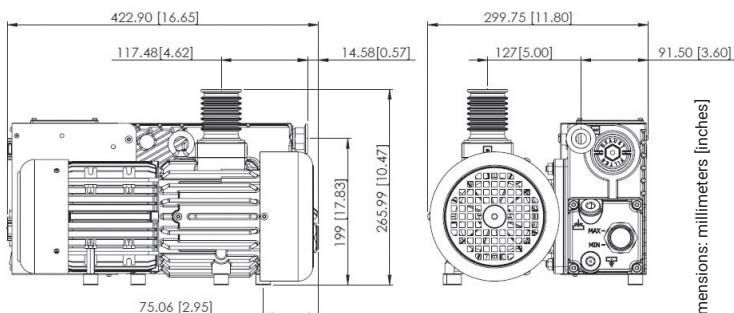
- High pumping capacity with the smallest footprint
- Proven inverter technology on board for constant performance, universal voltage and frequency. Enables managing pumping speed up to >45 m³/h (>26.5 cfm)
- Green technology: environmentally friendly and cost-effective due to reduced power requirements, low start up current (< 10 A) and stand-by mode
- Lowest noise level with the highest throughput

(*) To qualify use in cyclic applications, please contact Agilent.

INLET PORT KF25



INLET PORT KF40



Dimensions: millimeters [inches]

Technical Specifications

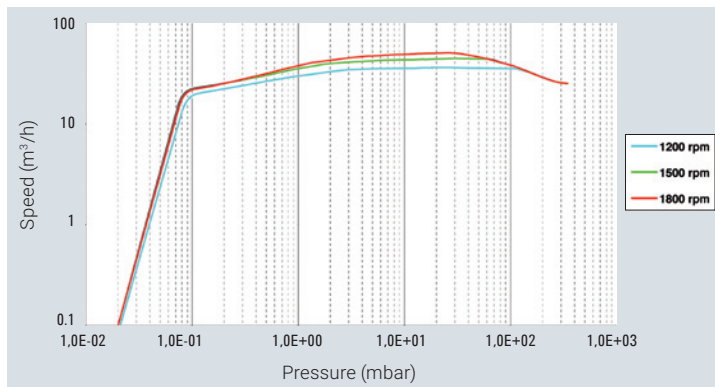
Feature	
Free air displacement	828 l/min (29.2 cfm; 49.7 m ³ /h)
Pumping Speed (at 5 mbar inlet pressure)	40 m ³ /h
Ultimate Total Pressure	≤ 5x10 ⁻² mbar
Oil Capacity min/max	1 l
Motor Rating 3ph	0.75 kW
Noise Level	≤ 62 dB(A)
IP Value	20
Installation category	II
Pollution degree	2
Operating Temperature Range	12 – 40 °C
Nominal rotation speed	1450 rpm
Weight	33 Kg / 72.7 lb
Inlet Flange 9499225 / 9499225M011	DN 25KF
Inlet Flange 9499240 / 9499941	DN 40KF
Exhaust Flange	DN 25KF
Nominal Input Voltage	200-240 V
Input frequency	50 / 60 Hz
Max input power	1200 VA
Internal Main Fuse (TT type)	12.5 A

Ordering Information

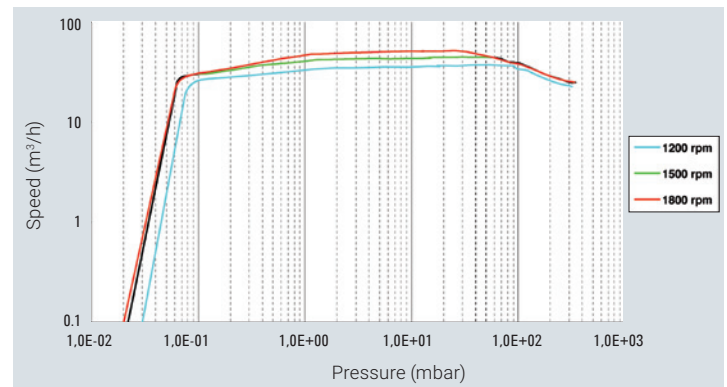
MS40+ Pump	Part Numbers
MS40+ RVP, 25KF Inlet Flange, with I/O and RS232/485 Interface, without Oil Level Sensor	9499225
MS40+ RVP, 25KF Inlet Flange, Heavy Duty LCMS/ICPMS	9499225M011
MS40+ RVP, 40KF Inlet Flange, Full Optional with I/O and RS232/485 Interface, and Oil Level Sensor	9499240
MS40+ RVP, 40KF Inlet Flange, Base Version	9499241
Accessories	
MS40+ Exhaust filter	9499201
AVF 60 Gold lubricant fluid	X3760-64005
AVF 60 Platinum lubricant fluid*	X3760-64004
MS40+ Maintenance kit	9499203
Power cable EU	9499396
Power cable 208 Vac US	9499400
Power cable UK	9499398
Power cable IEC320	9499399
A-PLUS software (w/ serial cable)	9699883

* AVF 60 Platinum to be used with MS40 RVP Heavy Duty LCMS/ICPMS 9499225M011

Pumping Speed Curve (Inlet Port KF25)



Pumping Speed Curve (Inlet Port KF40)



United States

Agilent Technologies
121 Hartwell Avenue, Lexington MA 02421, USA
Tel: +1 781 861 7200
Toll free: +1 800 882 7426
vpl-customer-care@agilent.com

Europe and other countries

Agilent Technologies Italia SpA
via F.lli Varian 54, 10040 Leini, (Torino), Italy
Tel: +39 011 9979 111
Toll free: 00 800 234 234 00
vpt-customer-care@agilent.com

This information is subject to change without notice.